

VI - 1

# DRŽÁKY ZÁVITNÍKŮ A ZÁVITOVÝCH ČELISTÍ

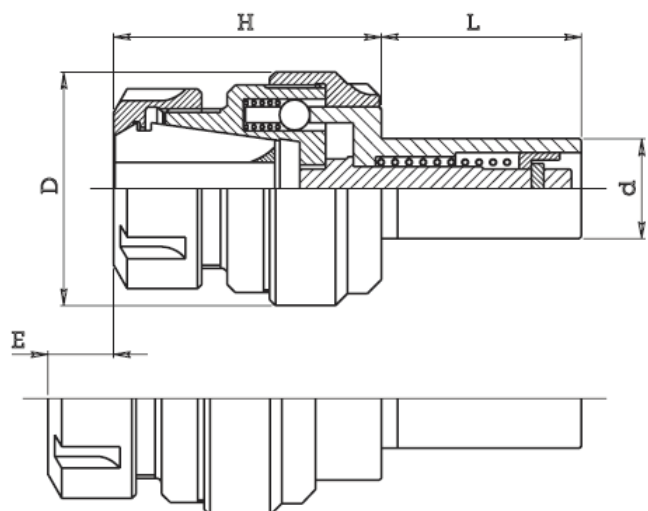


NTA s.r.o.  
Komenského 365  
763 16 Fryšták  
[www.nta.cz](http://www.nta.cz) [ntaoffice@nta.cz](mailto:ntaoffice@nta.cz)  
Tel.: 571 117 847 Fax: 571 118 402



VI

## DRŽÁK ZÁVITNÍKU S KLEŠTINOU - ERC (DIN 6499)

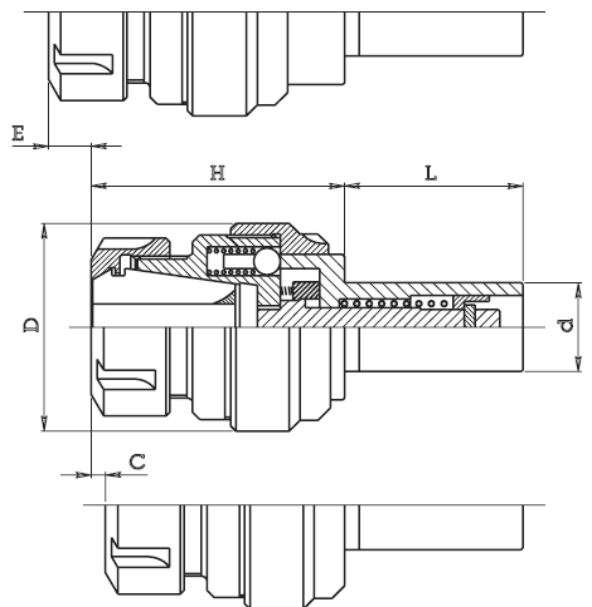


| KOD      | d      | L  | H  | D  | Kod kleštiny | E  |        |
|----------|--------|----|----|----|--------------|----|--------|
| 192.715  | 15,875 | 32 | 36 | 29 | 050.011      | 8  | ERC 11 |
| 192.716  | 16     | 32 | 36 | 29 | 050.011      | 8  |        |
| 192.719  | 19,05  | 32 | 36 | 29 | 050.011      | 8  |        |
| 192.720  | 20     | 32 | 36 | 29 | 050.011      | 8  |        |
| 192.015  | 15,875 | 32 | 48 | 29 | 050.016      | 8  | ERC 16 |
| 192.016  | 16     | 32 | 48 | 29 | 050.016      | 8  |        |
| 192.019  | 19,05  | 32 | 48 | 29 | 050.016      | 8  |        |
| 192.020  | 20     | 32 | 48 | 29 | 050.016      | 8  |        |
| 192.219  | 19,05  | 46 | 56 | 44 | 050.020      | 12 | ERC 20 |
| 192.220  | 20     | 46 | 56 | 44 | 050.020      | 12 |        |
| 192.222  | 22     | 46 | 56 | 44 | 050.020      | 12 |        |
| 192.225  | 25     | 46 | 56 | 44 | 050.020      | 12 |        |
| 192.226  | 25,40  | 46 | 56 | 44 | 050.020      | 12 |        |
| 192.419  | 19,05  | 46 | 70 | 44 | 050.025      | 12 | ERC 25 |
| 192.420  | 20     | 46 | 70 | 44 | 050.025      | 12 |        |
| 192.422  | 22     | 46 | 70 | 44 | 050.025      | 12 |        |
| 192.325  | 25     | 50 | 64 | 58 | 050.025      | 16 | ERC 25 |
| 192.325L | 25     | 80 | 64 | 58 | 050.025      | 16 |        |
| 192.326  | 25,40  | 50 | 64 | 58 | 050.025      | 16 |        |
| 192.326L | 25,40  | 80 | 64 | 58 | 050.025      | 16 |        |
| 192.330  | 30     | 50 | 64 | 58 | 050.025      | 16 |        |
| 192.331  | 31,75  | 50 | 64 | 58 | 050.025      | 16 |        |
| 192.332  | 32     | 50 | 64 | 58 | 050.025      | 16 |        |
| 192.340  | 40     | 85 | 64 | 58 | 050.025      | 16 |        |
| 192.525  | 25     | 50 | 66 | 58 | 050.032      | 16 | ERC 32 |
| 192.525L | 25     | 80 | 66 | 58 | 050.032      | 16 |        |
| 192.526  | 25,40  | 50 | 66 | 58 | 050.032      | 16 |        |
| 192.526L | 25,40  | 80 | 66 | 58 | 050.032      | 16 |        |
| 192.530  | 30     | 50 | 66 | 58 | 050.032      | 16 |        |
| 192.531  | 31,75  | 50 | 66 | 58 | 050.032      | 16 |        |
| 192.532  | 32     | 50 | 64 | 58 | 050.032      | 16 |        |
| 192.540  | 40     | 85 | 64 | 58 | 050.032      | 16 |        |

## DRŽÁK ZÁVITNÍKU ODPRUŽENÝ S KLEŠTINOU - ERC (DIN 6499) VYSOUVACÍ



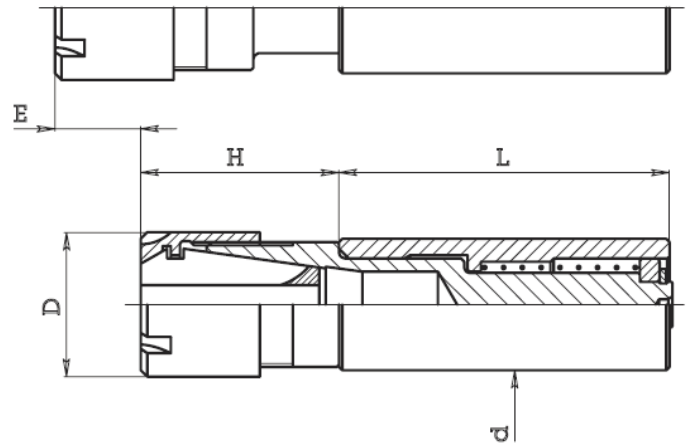
| KOD       | d      | L  | H  | D  | Kod kleš. | E   | C    |        |
|-----------|--------|----|----|----|-----------|-----|------|--------|
| 192.715A  | 15,875 | 32 | 36 | 29 | 050.011   | 5,5 | -2,5 | ERC 11 |
| 192.716A  | 16     | 32 | 36 | 29 | 050.011   | 5,5 | -2,5 |        |
| 192.719A  | 19,05  | 32 | 36 | 29 | 050.011   | 5,5 | -2,5 |        |
| 192.720A  | 20     | 32 | 36 | 29 | 050.011   | 5,5 | -2,5 |        |
| 192.015A  | 15,875 | 32 | 48 | 29 | 050.016   | 5,5 | -2,5 | ERC 16 |
| 192.016A  | 16     | 32 | 48 | 29 | 050.016   | 5,5 | -2,5 |        |
| 192.019A  | 19,05  | 32 | 48 | 29 | 050.016   | 5,5 | -2,5 |        |
| 192.020A  | 20     | 32 | 48 | 29 | 050.016   | 5,5 | -2,5 |        |
| 192.219A  | 19,05  | 46 | 59 | 44 | 050.020   | 9   | -3   | ERC 20 |
| 192.220A  | 20     | 46 | 59 | 44 | 050.020   | 9   | -3   |        |
| 192.222A  | 22     | 46 | 59 | 44 | 050.020   | 9   | -3   |        |
| 192.225A  | 25     | 46 | 59 | 44 | 050.020   | 9   | -3   |        |
| 192.226A  | 25,40  | 46 | 59 | 44 | 050.020   | 9   | -3   |        |
| 192.419A  | 19,05  | 46 | 73 | 44 | 050.025   | 9   | -3   | ERC 25 |
| 192.420A  | 20     | 46 | 73 | 44 | 050.025   | 9   | -3   |        |
| 192.422A  | 22     | 46 | 73 | 44 | 050.025   | 9   | -3   |        |
| 192.325A  | 25     | 50 | 68 | 58 | 050.025   | 12  | -4   | ERC 25 |
| 192.325AL | 25     | 80 | 68 | 58 | 050.025   | 12  | -4   |        |
| 192.326A  | 25,40  | 50 | 68 | 58 | 050.025   | 12  | -4   |        |
| 192.326AL | 25,40  | 80 | 68 | 58 | 050.025   | 12  | -4   |        |
| 192.330A  | 30     | 50 | 68 | 58 | 050.025   | 12  | -4   |        |
| 192.331A  | 31,75  | 50 | 68 | 58 | 050.025   | 12  | -4   |        |
| 192.332A  | 32     | 50 | 68 | 58 | 050.025   | 12  | -4   |        |
| 192.340A  | 40     | 85 | 68 | 58 | 050.025   | 12  | -4   |        |
| 192.525A  | 25     | 50 | 70 | 58 | 050.032   | 12  | -4   | ERC 32 |
| 192.525AL | 25     | 80 | 70 | 58 | 050.032   | 12  | -4   |        |
| 192.526A  | 25,40  | 50 | 70 | 58 | 050.032   | 12  | -4   |        |
| 192.526AL | 25,40  | 80 | 70 | 58 | 050.032   | 12  | -4   |        |
| 192.530A  | 30     | 50 | 70 | 58 | 050.032   | 12  | -4   |        |
| 192.531A  | 31,75  | 50 | 70 | 58 | 050.032   | 12  | -4   |        |
| 192.532A  | 32     | 50 | 70 | 58 | 050.032   | 12  | -4   |        |
| 192.540A  | 40     | 85 | 70 | 58 | 050.032   | 12  | -4   |        |



## DRŽÁK ZÁVITNÍKU S KLEŠTINOU - ERC (DIN 6499) VYSOUVACÍ

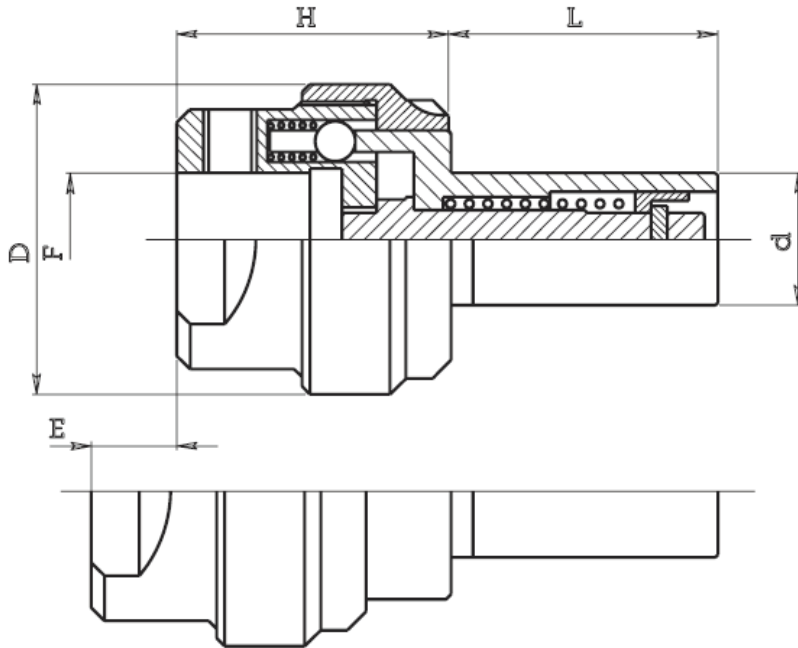


| KOD         | d      | L   | H  | D  | Kod kleš. | E  |        |
|-------------|--------|-----|----|----|-----------|----|--------|
| 194.715 040 | 15,875 | 40  | 21 | 16 | 050.011   | 10 | ERC 11 |
| 194.716 040 | 16     | 40  | 21 | 16 | 050.011   | 10 |        |
| 194.719 040 | 19,05  | 40  | 21 | 16 | 050.011   | 10 |        |
| 194.720 040 | 20     | 40  | 21 | 16 | 050.011   | 10 |        |
| 194.722 040 | 22     | 40  | 21 | 16 | 050.011   | 10 |        |
| 194.725 040 | 25     | 40  | 21 | 16 | 050.011   | 10 |        |
| 194.726 040 | 25,40  | 40  | 21 | 16 | 050.011   | 10 |        |
|             |        |     |    |    |           |    |        |
| 194.015 040 | 15,875 | 40  | 36 | 22 | 050.016   | 10 | ERC 16 |
| 194.016 040 | 16     | 40  | 36 | 22 | 050.016   | 10 |        |
| 194.019 050 | 19,05  | 50  | 30 | 22 | 050.016   | 14 |        |
| 194.019 070 | 19,05  | 70  | 30 | 22 | 050.016   | 14 |        |
| 194.019 120 | 19,05  | 120 | 30 | 22 | 050.016   | 14 |        |
| 194.020 050 | 20     | 50  | 30 | 22 | 050.016   | 14 |        |
| 194.020 070 | 20     | 70  | 30 | 22 | 050.016   | 14 |        |
| 194.020 120 | 20     | 120 | 30 | 22 | 050.016   | 14 |        |
| 194.022 050 | 22     | 50  | 30 | 22 | 050.016   | 14 |        |
| 194.022 080 | 22     | 80  | 30 | 22 | 050.016   | 14 |        |
| 194.022 120 | 22     | 120 | 30 | 22 | 050.016   | 14 |        |
| 194.025 050 | 25     | 50  | 30 | 22 | 050.016   | 14 |        |
| 194.025 070 | 25     | 70  | 30 | 22 | 050.016   | 14 |        |
| 194.025 120 | 25     | 120 | 30 | 22 | 050.016   | 14 |        |
| 194.026 050 | 25,40  | 50  | 30 | 22 | 050.016   | 14 |        |
| 194.026 070 | 25,40  | 70  | 30 | 22 | 050.016   | 14 |        |
| 194.026 120 | 25,40  | 120 | 30 | 22 | 050.016   | 14 |        |
|             |        |     |    |    |           |    |        |
| 194.119 050 | 19,05  | 50  | 40 | 28 | 050.020   | 14 | ERC 20 |
| 194.119 070 | 19,05  | 70  | 40 | 28 | 050.020   | 14 |        |
| 194.119 120 | 19,05  | 120 | 40 | 28 | 050.020   | 14 |        |
| 194.120 050 | 20     | 50  | 40 | 28 | 050.020   | 14 |        |
| 194.120 070 | 20     | 70  | 40 | 28 | 050.020   | 14 |        |
| 194.120 120 | 20     | 120 | 40 | 28 | 050.020   | 14 |        |
| 194.122 050 | 22     | 50  | 40 | 28 | 050.020   | 14 |        |
| 194.122 080 | 22     | 80  | 40 | 28 | 050.020   | 14 |        |
| 194.122 120 | 22     | 120 | 40 | 28 | 050.020   | 14 |        |
| 194.125 050 | 25     | 50  | 40 | 28 | 050.020   | 14 |        |
| 194.125 070 | 25     | 70  | 40 | 28 | 050.020   | 14 |        |
| 194.125 120 | 25     | 120 | 40 | 28 | 050.020   | 14 |        |
| 194.126 050 | 25,40  | 50  | 40 | 28 | 050.020   | 14 |        |
| 194.126 070 | 25,40  | 70  | 40 | 28 | 050.020   | 14 |        |
| 194.126 120 | 25,40  | 120 | 40 | 28 | 050.020   | 14 |        |



| KOD         | d     | L   | H  | D  | Kod kleš. | E  |        |
|-------------|-------|-----|----|----|-----------|----|--------|
| 194.219 050 | 19,05 | 50  | 42 | 35 | 050.025   | 14 | ERC 25 |
| 194.219 070 | 19,05 | 70  | 42 | 35 | 050.025   | 14 |        |
| 194.219 120 | 19,05 | 120 | 42 | 35 | 050.025   | 14 |        |
| 194.220 050 | 20    | 50  | 42 | 35 | 050.025   | 14 |        |
| 194.220 070 | 20    | 70  | 42 | 35 | 050.025   | 14 |        |
| 194.220 120 | 20    | 120 | 42 | 35 | 050.025   | 14 |        |
| 194.222 050 | 22    | 50  | 42 | 35 | 050.025   | 14 |        |
| 194.222 080 | 22    | 80  | 42 | 35 | 050.025   | 14 |        |
| 194.222 120 | 22    | 120 | 42 | 35 | 050.025   | 14 |        |
| 194.225 050 | 25    | 50  | 42 | 35 | 050.025   | 14 |        |
| 194.225 070 | 25    | 70  | 42 | 35 | 050.025   | 14 |        |
| 194.225 120 | 25    | 120 | 42 | 35 | 050.025   | 14 |        |
| 194.226 050 | 25,40 | 50  | 42 | 35 | 050.025   | 14 |        |
| 194.226 070 | 25,40 | 70  | 42 | 35 | 050.025   | 14 |        |
| 194.226 120 | 25,40 | 120 | 42 | 35 | 050.025   | 14 |        |

## DRŽÁK ZÁVITNÍKU - VYSOUVACÍ

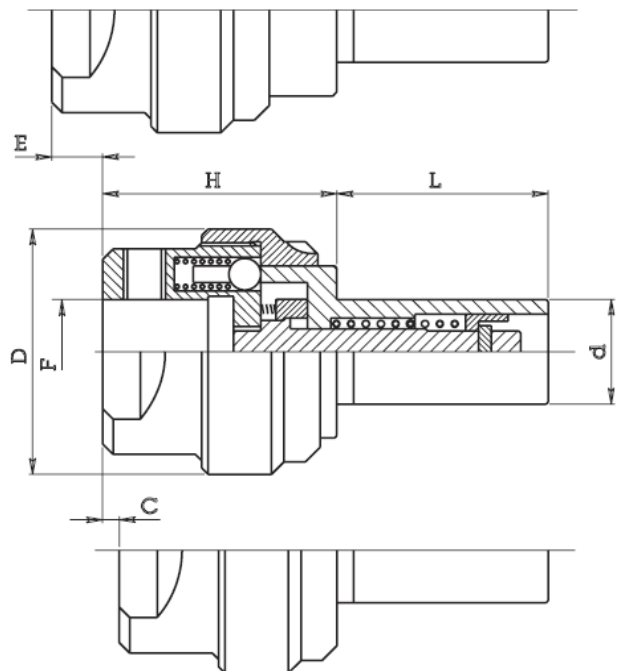


| KOD      | d      | L  | H  | D  | E  | F  |
|----------|--------|----|----|----|----|----|
| 190.115  | 15,875 | 32 | 29 | 29 | 8  | 10 |
| 190.116  | 16     | 32 | 29 | 29 | 8  | 10 |
| 190.119  | 19,05  | 32 | 29 | 29 | 8  | 10 |
| 190.120  | 20     | 32 | 29 | 29 | 8  | 10 |
|          |        |    |    |    |    |    |
| 190.219  | 19,05  | 46 | 40 | 44 | 12 | 12 |
| 190.219B | 19,05  | 46 | 40 | 44 | 12 | 11 |
| 190.220  | 20     | 46 | 40 | 44 | 12 | 12 |
| 190.222  | 22     | 46 | 40 | 44 | 12 | 12 |
| 190.225  | 25     | 46 | 40 | 44 | 12 | 12 |
| 190.226  | 25,40  | 46 | 40 | 44 | 12 | 12 |
|          |        |    |    |    |    |    |
| 190.325  | 25     | 50 | 52 | 58 | 16 | 18 |
| 190.325L | 25     | 80 | 52 | 58 | 16 | 18 |
| 190.326  | 25,40  | 50 | 52 | 58 | 16 | 18 |
| 190.326L | 25,40  | 80 | 52 | 58 | 16 | 18 |
| 190.330  | 30     | 50 | 52 | 58 | 16 | 18 |
| 190.331  | 31,75  | 50 | 52 | 58 | 16 | 18 |
| 190.332  | 32     | 50 | 52 | 58 | 16 | 18 |
| 190.340  | 40     | 85 | 52 | 58 | 16 | 18 |

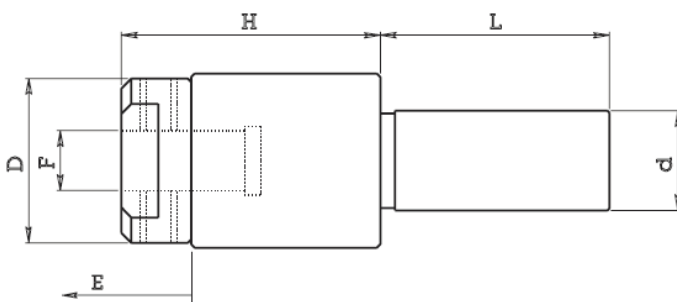
| KOD      | d     | L  | H  | D  | E  | F  |
|----------|-------|----|----|----|----|----|
| 190.425  | 25    | 50 | 52 | 58 | 16 | 21 |
| 190.426  | 25,40 | 50 | 52 | 58 | 16 | 21 |
| 190.430  | 30    | 50 | 52 | 58 | 16 | 21 |
| 190.431  | 31,75 | 50 | 52 | 58 | 16 | 21 |
| 190.432  | 32    | 50 | 52 | 58 | 16 | 21 |
| 190.440  | 40    | 85 | 52 | 58 | 16 | 21 |
|          |       |    |    |    |    |    |
| 190.525  | 25    | 50 | 52 | 58 | 16 | 25 |
| 190.525L | 25    | 80 | 52 | 58 | 16 | 25 |
| 190.526  | 25,40 | 50 | 52 | 58 | 16 | 25 |
| 190.526L | 25,40 | 80 | 52 | 58 | 16 | 25 |
| 190.530  | 30    | 50 | 52 | 58 | 16 | 25 |
| 190.531  | 31,75 | 50 | 52 | 58 | 16 | 25 |
| 190.532  | 32    | 50 | 52 | 58 | 16 | 25 |
| 190.540  | 40    | 85 | 52 | 58 | 16 | 25 |

## DRŽÁK ZÁVITNÍKU - ODPRUŽENÝ VYSOUVACÍ

| KOD       | d      | L  | H  | D  | E   | C    | F  |
|-----------|--------|----|----|----|-----|------|----|
| 190.115A  | 15,875 | 32 | 29 | 29 | 5,5 | -2,5 | 10 |
| 190.116A  | 16     | 32 | 29 | 29 | 5,5 | -2,5 | 10 |
| 190.119A  | 19,05  | 32 | 29 | 29 | 5,5 | -2,5 | 10 |
| 190.120A  | 20     | 32 | 29 | 29 | 5,5 | -2,5 | 10 |
| 190.219A  | 19,05  | 46 | 43 | 44 | 9   | -3   | 12 |
| 190.220A  | 20     | 46 | 43 | 44 | 9   | -3   | 12 |
| 190.222A  | 22     | 46 | 43 | 44 | 9   | -3   | 12 |
| 190.225A  | 25     | 46 | 43 | 44 | 9   | -3   | 12 |
| 190.226A  | 25,40  | 46 | 43 | 44 | 9   | -3   | 12 |
| 190.325A  | 25     | 50 | 56 | 58 | 12  | -4   | 18 |
| 190.325AL | 25     | 80 | 56 | 58 | 12  | -4   | 18 |
| 190.326A  | 25,40  | 50 | 56 | 58 | 12  | -4   | 18 |
| 190.326AL | 25,40  | 80 | 56 | 58 | 12  | -4   | 18 |
| 190.330A  | 30     | 50 | 56 | 58 | 12  | -4   | 18 |
| 190.331A  | 31,75  | 50 | 56 | 58 | 12  | -4   | 18 |
| 190.332A  | 32     | 50 | 56 | 58 | 12  | -4   | 18 |
| 190.340A  | 40     | 85 | 56 | 58 | 12  | -4   | 18 |
| 190.425A  | 25     | 50 | 56 | 58 | 12  | -4   | 21 |
| 190.426A  | 25,40  | 50 | 56 | 58 | 12  | -4   | 21 |
| 190.430A  | 30     | 50 | 56 | 58 | 12  | -4   | 21 |
| 190.431A  | 31,75  | 50 | 56 | 58 | 12  | -4   | 21 |
| 190.432A  | 32     | 50 | 56 | 58 | 12  | -4   | 21 |
| 190.440A  | 40     | 85 | 56 | 58 | 12  | -4   | 21 |
| 190.525A  | 25     | 50 | 56 | 58 | 12  | -4   | 25 |
| 190.525AL | 25     | 80 | 56 | 58 | 12  | -4   | 25 |
| 190.526A  | 25,40  | 50 | 56 | 58 | 12  | -4   | 25 |
| 190.526AL | 25,40  | 80 | 56 | 58 | 12  | -4   | 25 |
| 190.530A  | 30     | 50 | 56 | 58 | 12  | -4   | 25 |
| 190.531A  | 31,75  | 50 | 56 | 58 | 12  | -4   | 25 |
| 190.532A  | 32     | 50 | 56 | 58 | 12  | -4   | 25 |
| 190.540A  | 40     | 85 | 56 | 58 | 12  | -4   | 25 |



## DRŽÁK ZÁVITNÍKU VYSOUVACÍ S PRODLOUŽENÝM ZDVIHEM

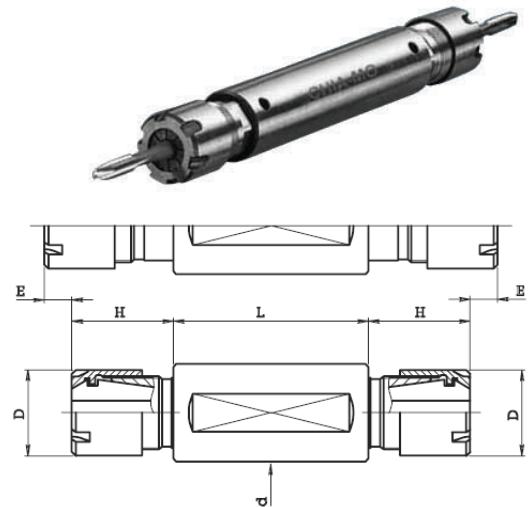
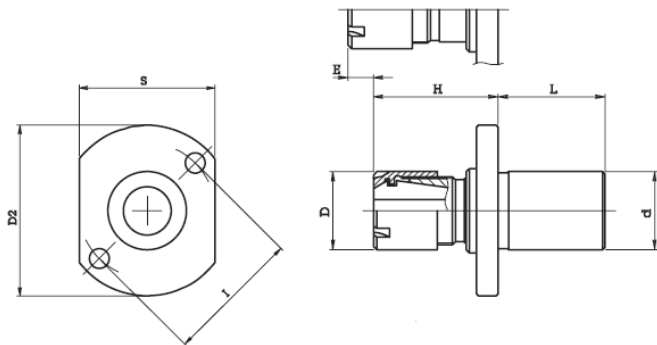


| KOD     | d     | H  | L  | D  | F  | E  |
|---------|-------|----|----|----|----|----|
| 191.216 | 16    | 48 | 46 | 35 | 12 | 22 |
| 191.219 | 19,05 | 48 | 46 | 35 | 12 | 22 |
| 191.220 | 20    | 48 | 46 | 35 | 12 | 22 |
| 191.222 | 22    | 48 | 46 | 35 | 12 | 22 |

| KOD      | d     | H  | L  | D  | F  | E  |
|----------|-------|----|----|----|----|----|
| 191.216L | 16    | 56 | 46 | 35 | 12 | 30 |
| 191.326  | 25,40 | 60 | 80 | 45 | 18 | 30 |

**DRŽÁK ZÁVITNÍKU - OBOUSTRANNÝ S MATICÍ „MINI“ A KLEŠTINA ERC (DIN 6499)**

| KOD         | d     | L  | H    | D  | X        | KLEŠTINA | E |
|-------------|-------|----|------|----|----------|----------|---|
| 195.719 050 | 19,05 | 50 | 16,5 | 16 | 0,5 - 7  | ERC 11   | 8 |
| 195.719 060 | 19,05 | 60 | 16,5 | 16 | 0,5 - 7  | ERC 11   | 8 |
| 195.720 050 | 20    | 50 | 16,5 | 16 | 0,5 - 7  | ERC 11   | 8 |
| 195.720 060 | 20    | 60 | 16,5 | 16 | 0,5 - 7  | ERC 11   | 8 |
| 195.722 050 | 22    | 50 | 16,5 | 16 | 0,5 - 7  | ERC 11   | 8 |
| 195.722 060 | 22    | 60 | 16,5 | 16 | 0,5 - 7  | ERC 11   | 8 |
| 195.022 050 | 22    | 50 | 26   | 22 | 0,5 - 10 | ERC 16   | 8 |
| 195.022 060 | 22    | 60 | 26   | 22 | 0,5 - 10 | ERC 16   | 8 |
| 195.022 095 | 22    | 95 | 26   | 22 | 0,5 - 10 | ERC 16   | 8 |
| 195.025 050 | 25    | 50 | 26   | 22 | 0,5 - 10 | ERC 16   | 8 |
| 195.025 060 | 25    | 60 | 26   | 22 | 0,5 - 10 | ERC 16   | 8 |
| 195.026 050 | 25,40 | 50 | 26   | 22 | 0,5 - 10 | ERC 16   | 8 |
| 195.026 060 | 25,40 | 60 | 26   | 22 | 0,5 - 10 | ERC 16   | 8 |

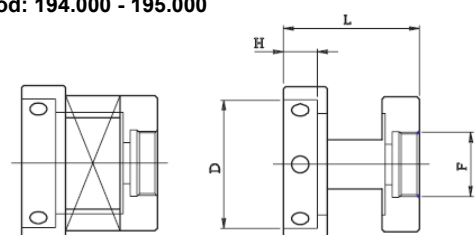
**DRŽÁK ZÁVITNÍKU S KLEŠTINOU ERC (DIN 6499)**

| STROJ      | KOD          | d  | L  | H  | D  | X        | D2 | S  | I  | KLEŠTINA | E |
|------------|--------------|----|----|----|----|----------|----|----|----|----------|---|
| STAR SR 20 | 196.022 030  | 22 | 30 | 36 | 22 | 0,5 - 10 | 48 | 38 | 38 | ERC 16   | 8 |
| STAR SR 32 | 196.022 030B | 22 | 30 | 36 | 22 | 0,5 - 10 | 60 | 38 | 50 | ERC 16   | 8 |

**DRŽÁK ZÁVITOVÝCH ČELISTÍ PRO DLOUHOTOČNÉ AUTOMATY**

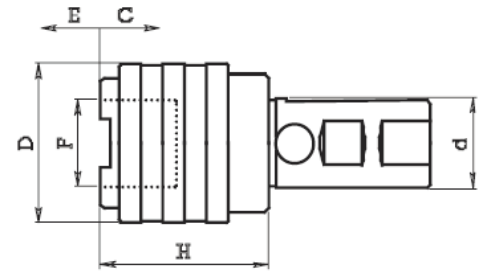
| KOD          | D  | H  | L  | F    |
|--------------|----|----|----|------|
| 382.716 025  | 16 | 5  | 25 | 19x1 |
| 382.716 040  | 16 | 5  | 40 | 19x1 |
| 382.720 025B | 20 | 5  | 25 | 19x1 |
| 382.720.040B | 20 | 5  | 40 | 19x1 |
| 382.720 025  | 20 | 7  | 25 | 19x1 |
| 382.720 040  | 20 | 7  | 40 | 19x1 |
| 382.725 025  | 25 | 9  | 25 | 19x1 |
| 382.725 040  | 25 | 9  | 40 | 19x1 |
| 382.730 040  | 30 | 11 | 40 | 19x1 |
| 382.738 040  | 38 | 10 | 40 | 19x1 |

Lze namontovat na držák kod: 194.000 - 195.000



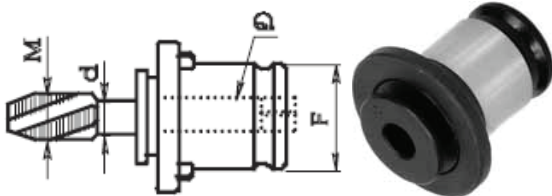
## Držáky závitníků a závitových čelistí

## DRŽÁK ZÁVITNÍKU - ODPRUŽENÝ VYSOUVACÍ RYCHLOVÝMĚNNÝ



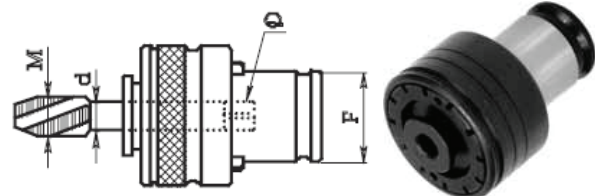
| KOD     | d  | H  | D  | Vysunutí E | Odpružení C | F  | Pro závitníky |
|---------|----|----|----|------------|-------------|----|---------------|
| 198.120 | 20 | 41 | 38 | 9          | 9           | 19 | M3 - M12      |
| 198.125 | 25 | 41 | 38 | 9          | 9           | 19 | M3 - M12      |
| 198.132 | 32 | 41 | 38 | 9          | 9           | 19 | M3 - M12      |
| 198.140 | 40 | 41 | 38 | 9          | 9           | 19 | M3 - M12      |
| 198.225 | 25 | 63 | 55 | 15         | 15          | 31 | M3 - M20      |
| 198.232 | 32 | 63 | 55 | 15         | 15          | 31 | M3 - M20      |
| 198.240 | 40 | 63 | 55 | 15         | 15          | 31 | M3 - M20      |

## DRŽÁK ZÁVITNÍKU - RYCHLOVÝMĚNNÝ



## PEVNÝ

| KOD      | d   | Čtyřhran Q | M      | Poz. | F  |
|----------|-----|------------|--------|------|----|
| Z B0.025 | 2,5 | 2,1        | M 1    | 1    | 13 |
| Z B0.028 | 2,8 | 2,1        | M2-2.5 | 1    | 13 |
| Z B0.035 | 3,5 | 2,7        | M3     | 1    | 13 |
| Z B0.045 | 4,5 | 3,4        | M4     | 1    | 13 |
| Z B0.060 | 6   | 4,9        | M5-6-8 | 1    | 13 |
| Z B0.070 | 7   | 5,5        | M10    | 1    | 13 |
| Z B0.080 | 8   | 6,2        | M8     | 1    | 13 |
| Z B1.035 | 3,5 | 2,7        | M3     | 1    | 19 |
| Z B1.045 | 4,5 | 3,4        | M4     | 1    | 19 |
| Z B1.060 | 6   | 4,9        | M5-6-8 | 1    | 19 |
| Z B1.070 | 7   | 5,5        | M10    | 1    | 19 |
| Z B1.080 | 8   | 6,2        | M8     | 1    | 19 |
| Z B1.090 | 9   | 7          | M12    | 1    | 19 |
| Z B1.100 | 10  | 8          | M10    | 1    | 19 |
| Z B1.110 | 11  | 9          | M14    | 1    | 19 |
| Z B2.060 | 6   | 4,9        | M5-6-8 | 1    | 31 |
| Z B2.070 | 7   | 5,5        | M10    | 1    | 31 |
| Z B2.080 | 8   | 6,2        | M8     | 1    | 31 |
| Z B2.090 | 9   | 7          | M12    | 1    | 31 |
| Z B2.100 | 10  | 8          | M10    | 1    | 31 |
| Z B2.110 | 11  | 9          | M14    | 1    | 31 |
| Z B2.120 | 12  | 9          | M16    | 1    | 31 |
| Z B2.140 | 14  | 11         | M18    | 1    | 31 |
| Z B2.160 | 16  | 12         | M20    | 1    | 31 |
| Z B2.180 | 18  | 14,5       | M22-24 | 1    | 31 |



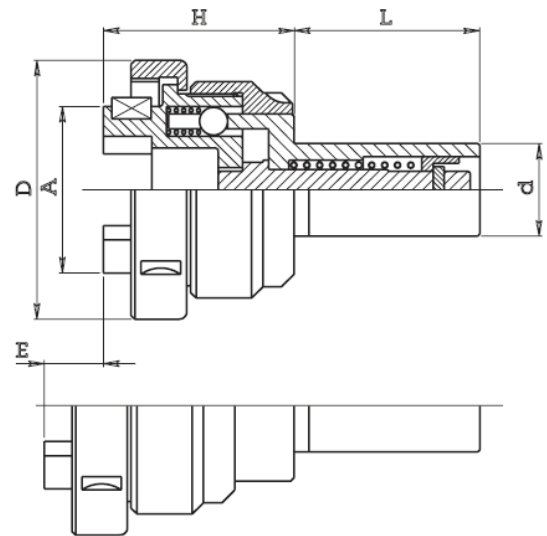
## S PROKLIZOVACÍ SPOJKOU

| KOD       | d   | Čtyřhran Q | M      | Poz. | F  |
|-----------|-----|------------|--------|------|----|
| Z BF0.025 | 2,5 | 2,1        | M1     | 2    | 13 |
| Z BF0.028 | 2,8 | 2,1        | M2-2.5 | 2    | 13 |
| Z BF0.035 | 3,5 | 2,7        | M3     | 2    | 13 |
| Z BF0.045 | 4,5 | 3,4        | M4     | 2    | 13 |
| Z BF0.060 | 6   | 4,9        | M5-6-8 | 2    | 13 |
| Z BF0.070 | 7   | 5,5        | M10    | 2    | 13 |
| Z BF0.080 | 8   | 6,2        | M8     | 2    | 13 |
| Z BF1.035 | 3,5 | 2,7        | M3     | 2    | 19 |
| Z BF1.045 | 4,5 | 3,4        | M4     | 2    | 19 |
| Z BF1.060 | 6   | 4,9        | M5-6-8 | 2    | 19 |
| Z BF1.070 | 7   | 5,5        | M10    | 2    | 19 |
| Z BF1.080 | 8   | 6,2        | M8     | 2    | 19 |
| Z BF1.090 | 9   | 7          | M12    | 2    | 19 |
| Z BF1.100 | 10  | 8          | M10    | 2    | 19 |
| Z BF1.110 | 11  | 9          | M14    | 2    | 19 |
| Z BF2.060 | 6   | 4,9        | M5-6-8 | 2    | 31 |
| Z BF2.070 | 7   | 5,5        | M10    | 2    | 31 |
| Z BF2.080 | 8   | 6,2        | M8     | 2    | 31 |
| Z BF2.090 | 9   | 7          | M12    | 2    | 31 |
| Z BF2.100 | 10  | 8          | M10    | 2    | 31 |
| Z BF2.110 | 11  | 9          | M14    | 2    | 31 |
| Z BF2.120 | 12  | 9          | M16    | 2    | 31 |
| Z BF2.140 | 14  | 11         | M18    | 2    | 31 |
| Z BF2.160 | 16  | 12         | M20    | 2    | 31 |
| Z BF2.180 | 18  | 14,5       | M22-24 | 2    | 31 |



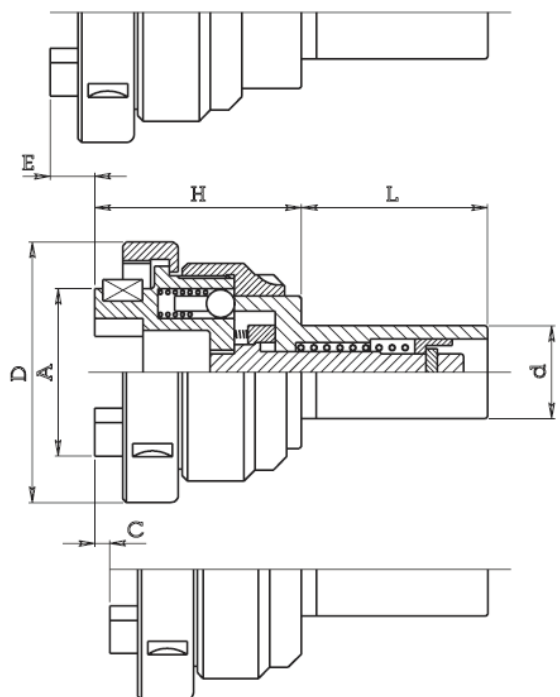
## DRŽÁK ZÁVITOVÝCH ČELISTÍ - VYSOUVACÍ

| KOD      | d      | L  | H  | D  | A  | Kod adaptéru | E  |
|----------|--------|----|----|----|----|--------------|----|
| 210.115  | 15,875 | 32 | 33 | 36 | 21 | 218....      | 8  |
| 210.116  | 16     | 32 | 33 | 36 | 21 | 218....      | 8  |
| 210.119  | 19,05  | 32 | 33 | 36 | 21 | 218....      | 8  |
| 210.120  | 20     | 32 | 33 | 36 | 21 | 218....      | 8  |
|          |        |    |    |    |    |              |    |
| 210.219  | 19,05  | 46 | 42 | 57 | 32 | 220....      | 12 |
| 210.220  | 20     | 46 | 42 | 57 | 32 | 220....      | 12 |
| 210.222  | 22     | 46 | 42 | 57 | 32 | 220....      | 12 |
| 210.225  | 25     | 46 | 42 | 57 | 32 | 220....      | 12 |
| 210.226  | 25,40  | 46 | 42 | 57 | 32 | 220....      | 12 |
|          |        |    |    |    |    |              |    |
| 210.325  | 25     | 50 | 51 | 70 | 45 | 230....      | 16 |
| 210.325L | 25     | 80 | 51 | 70 | 45 | 230....      | 16 |
| 210.326  | 25,40  | 50 | 51 | 70 | 45 | 230....      | 16 |
| 210.326L | 25,40  | 80 | 51 | 70 | 45 | 230....      | 16 |
| 210.330  | 30     | 50 | 51 | 70 | 45 | 230....      | 16 |
| 210.331  | 31,75  | 50 | 51 | 70 | 45 | 230....      | 16 |
| 210.332  | 32     | 50 | 51 | 70 | 45 | 230....      | 16 |
| 210.340  | 40     | 85 | 51 | 70 | 45 | 230....      | 16 |

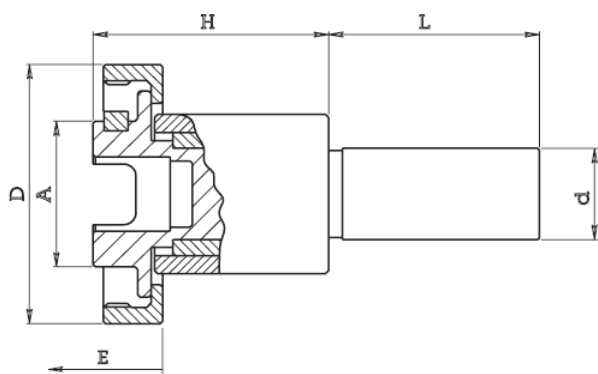


## DRŽÁK ZÁVITOVÝCH ČELISTÍ - ODPRUŽENÝ VYSOUVACÍ

| KOD       | d      | L  | H  | D  | A  | Kod adaptéru | E   | C    |
|-----------|--------|----|----|----|----|--------------|-----|------|
| 210.115A  | 15,875 | 32 | 33 | 36 | 21 | 218....      | 5.5 | -2.5 |
| 210.116A  | 16     | 32 | 33 | 36 | 21 | 218....      | 5.5 | -2.5 |
| 210.119A  | 19,05  | 32 | 33 | 36 | 21 | 218....      | 5.5 | -2.5 |
| 210.120A  | 20     | 32 | 33 | 36 | 21 | 218....      | 5.5 | -2.5 |
|           |        |    |    |    |    |              |     |      |
| 210.219A  | 19,05  | 46 | 45 | 57 | 32 | 220....      | 9   | -3   |
| 210.220A  | 20     | 46 | 45 | 57 | 32 | 220....      | 9   | -3   |
| 210.222A  | 22     | 46 | 45 | 57 | 32 | 220....      | 9   | -3   |
| 210.225A  | 25     | 46 | 45 | 57 | 32 | 220....      | 9   | -3   |
| 210.226A  | 25,40  | 46 | 45 | 57 | 32 | 220....      | 9   | -3   |
|           |        |    |    |    |    |              |     |      |
| 210.325A  | 25     | 50 | 55 | 71 | 45 | 230....      | 12  | -4   |
| 210.325AL | 25     | 80 | 55 | 71 | 45 | 230....      | 12  | -4   |
| 210.326A  | 25,40  | 50 | 55 | 71 | 45 | 230....      | 12  | -4   |
| 210.326AL | 25,40  | 80 | 55 | 71 | 45 | 230....      | 12  | -4   |
| 210.330A  | 30     | 50 | 55 | 71 | 45 | 230....      | 12  | -4   |
| 210.331A  | 31,75  | 50 | 55 | 71 | 45 | 230....      | 12  | -4   |
| 210.332A  | 32     | 50 | 55 | 71 | 45 | 230....      | 12  | -4   |
| 210.340A  | 40     | 85 | 55 | 71 | 45 | 230....      | 12  | -4   |



## DRŽÁK ZÁVITOVÝCH ČELISTÍ S PRODLOUŽENÝM ZDVIHEM

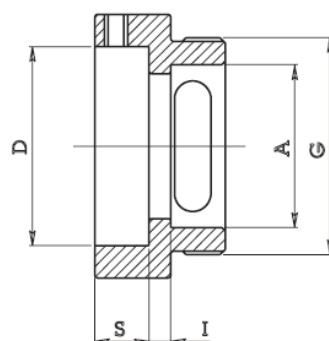


| KOD      | d     | H  | L  | D  | A  | Kod adapteru | E  |
|----------|-------|----|----|----|----|--------------|----|
| 211.216  | 16    | 51 | 46 | 57 | 32 | 220....      | 22 |
| 211.219  | 19,05 | 51 | 46 | 57 | 32 | 220....      | 22 |
| 211.220  | 20    | 51 | 46 | 57 | 32 | 220....      | 22 |
| 211.222  | 22    | 51 | 46 | 57 | 32 | 220....      | 22 |
| 211.216L | 16    | 59 | 46 | 57 | 32 | 220....      | 30 |
| 211.326  | 25,40 | 65 | 80 | 71 | 45 | 230....      | 30 |

## ADAPTÉR ZÁVITOVÝCH ČELISTÍ

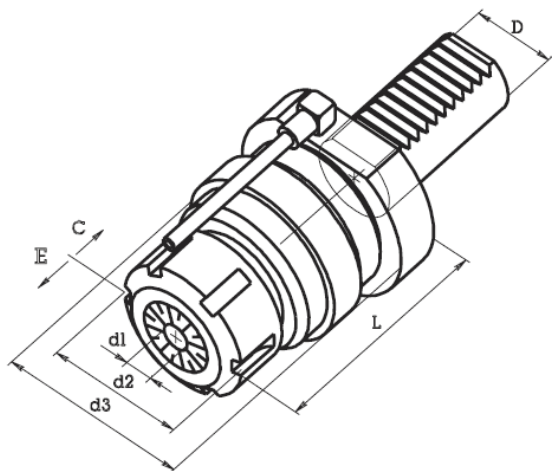


| KOD     | D  | S  | I | A  | G      |
|---------|----|----|---|----|--------|
| 220.116 | 16 | 5  | 5 | 32 | 48x1,5 |
| 220.120 | 20 | 5  | 5 | 32 | 48x1,5 |
| 220.220 | 20 | 7  | 3 | 32 | 48x1,5 |
| 220.125 | 25 | 9  | 3 | 32 | 48x1,5 |
| 220.130 | 30 | 11 | 3 | 32 | 48x1,5 |
| 220.138 | 38 | 10 | 6 | 32 | 48x1,5 |
| 220.238 | 38 | 14 | 3 | 32 | 48x1,5 |
| 220.145 | 45 | 14 | 3 | 32 | 48x1,5 |
| 220.245 | 45 | 18 | 3 | 32 | 48x1,5 |
| 220.150 | 50 | 16 | 4 | 32 | 48x1,5 |
| 220.155 | 55 | 16 | 4 | 32 | 48x1,5 |
| 230.220 | 20 | 7  | 9 | 45 | 60x1,5 |
| 230.125 | 25 | 9  | 7 | 45 | 60x1,5 |
| 230.130 | 30 | 11 | 5 | 45 | 60x1,5 |
| 230.138 | 38 | 10 | 6 | 45 | 60x1,5 |
| 230.238 | 38 | 14 | 3 | 45 | 60x1,5 |
| 230.145 | 45 | 14 | 3 | 45 | 60x1,5 |
| 230.245 | 45 | 18 | 4 | 45 | 60x1,5 |
| 230.150 | 50 | 16 | 6 | 45 | 60x1,5 |
| 230.155 | 55 | 16 | 6 | 45 | 60x1,5 |
| 230.165 | 65 | 18 | 6 | 45 | 60x1,5 |
| 230.175 | 75 | 20 | 6 | 45 | 60x1,5 |



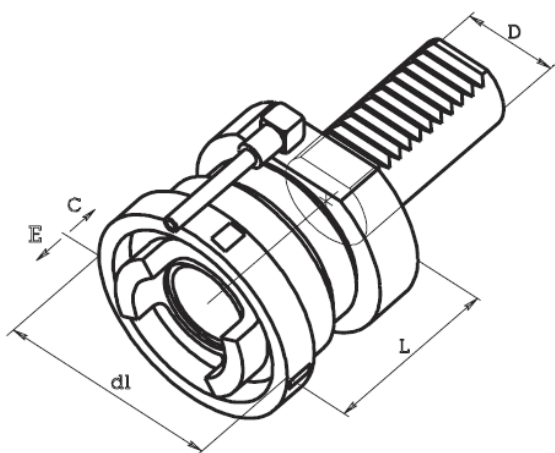
| KOD      | D  | S  | I | A  | G    |
|----------|----|----|---|----|------|
| 218.116  | 16 | 5  | 2 | 21 | 28x1 |
| 218.120  | 20 | 5  | 2 | 21 | 28x1 |
| 218.120B | 20 | 7  | 2 | 21 | 28x1 |
| 218.125  | 25 | 9  | 2 | 21 | 28x1 |
| 218.130  | 30 | 11 | 3 | 21 | 28x1 |

## VDI DRŽÁK ZÁVITNÍKU S KLEŠTINOU ERC (DIN 6499) - PLOVOUCÍ



| KOD        | D  | Kleština | d1 min | d1 max | d2 | d3 | L   | E  | C  |
|------------|----|----------|--------|--------|----|----|-----|----|----|
| 9 M1.20.20 | 20 | ERC 20   | 1      | 13     | 34 | 50 | 71  | 9  | -3 |
| 9 M1.20.25 | 20 | ERC 25   | 1      | 16     | 42 | 50 | 100 | 9  | -3 |
| 9 M1.30.25 | 30 | ERC 25   | 1      | 16     | 42 | 68 | 84  | 12 | -4 |
| 9 M1.30.32 | 30 | ERC 32   | 2      | 20     | 50 | 68 | 86  | 12 | -4 |
| 9 M1.40.25 | 40 | ERC 25   | 1      | 16     | 42 | 83 | 86  | 12 | -4 |
| 9 M1.40.32 | 40 | ERC 32   | 2      | 20     | 50 | 83 | 88  | 12 | -4 |

## VDI DRŽÁK ZÁVITOVÝCH ČELISTÍ - ODPRUŽENÝ



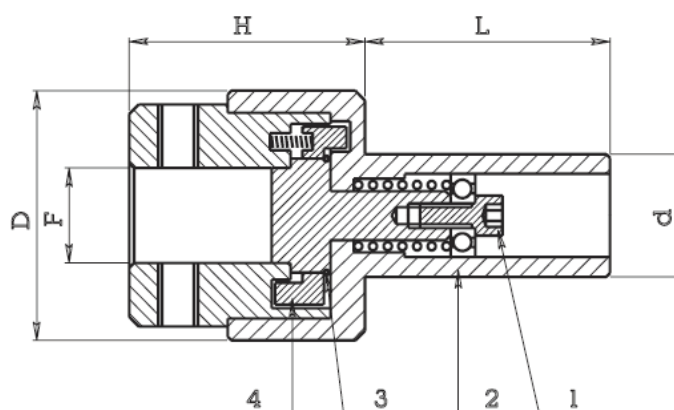
ADAPTÉRY NA STRANĚ 10

| KOD        | D  | Kod adaptéru | d1 | L  | E  | C  |
|------------|----|--------------|----|----|----|----|
| 9 Y1.20.20 | 20 | 220....      | 57 | 57 | 9  | -3 |
| 9 Y1.30.30 | 30 | 230....      | 70 | 71 | 12 | -4 |
| 9 Y1.40.30 | 40 | 230....      | 70 | 73 | 12 | -4 |

## DRŽÁK ZÁVITNÍKU - ROZEPÍNACÍ

| KOD     | d     | L  | H  | D  | F  | C |
|---------|-------|----|----|----|----|---|
| 180.219 | 19,05 | 50 | 44 | 51 | 18 | 4 |
| 180.220 | 20    | 50 | 44 | 51 | 18 | 4 |
| 180.222 | 22    | 50 | 44 | 51 | 18 | 4 |
| 180.225 | 25    | 50 | 44 | 51 | 18 | 4 |
| 180.226 | 25,40 | 50 | 44 | 51 | 18 | 4 |
| 180.230 | 30    | 50 | 44 | 51 | 18 | 4 |
| 180.231 | 31,75 | 50 | 44 | 51 | 18 | 4 |
| 180.232 | 32    | 50 | 44 | 51 | 18 | 4 |
|         |       |    |    |    |    |   |
| 180.322 | 22    | 50 | 54 | 51 | 25 | 4 |
| 180.325 | 25    | 50 | 54 | 51 | 25 | 4 |
| 180.326 | 25,40 | 50 | 54 | 51 | 25 | 4 |
| 180.330 | 30    | 50 | 54 | 51 | 25 | 4 |
| 180.331 | 31,75 | 50 | 54 | 51 | 25 | 4 |
| 180.332 | 32    | 50 | 54 | 51 | 25 | 4 |

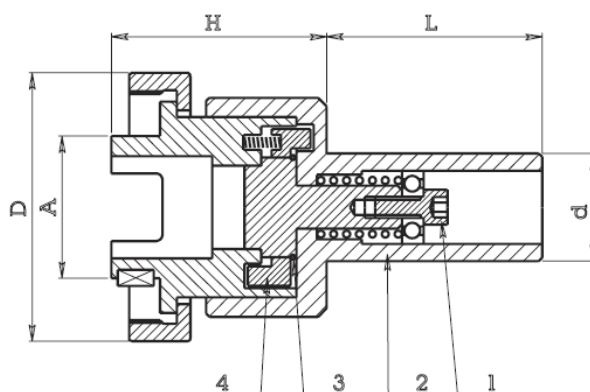
C = DÉLKA AXIÁLNÍHO ZDVIHU PŘED ROZEPNUTÍM



## DRŽÁK ZÁVITOVÝCH ČELISTÍ - ROZEPÍNACÍ

| KOD     | d     | L  | H  | D  | A  | C | Kod adaptéru |
|---------|-------|----|----|----|----|---|--------------|
| 200.219 | 19,05 | 50 | 46 | 57 | 32 | 4 | 220....      |
| 200.220 | 20    | 50 | 46 | 57 | 32 | 4 | 220....      |
| 200.222 | 22    | 50 | 46 | 57 | 32 | 4 | 220....      |
| 200.225 | 25    | 50 | 46 | 57 | 32 | 4 | 220....      |
| 200.226 | 25,40 | 50 | 46 | 57 | 32 | 4 | 220....      |
| 200.230 | 30    | 50 | 46 | 57 | 32 | 4 | 220....      |
| 200.231 | 31,75 | 50 | 46 | 57 | 32 | 4 | 220....      |
| 200.232 | 32    | 50 | 46 | 57 | 32 | 4 | 220....      |
|         |       |    |    |    |    |   |              |
| 200.322 | 22    | 50 | 51 | 71 | 45 | 4 | 230....      |
| 200.325 | 25    | 50 | 51 | 71 | 45 | 4 | 230....      |
| 200.326 | 25,40 | 50 | 51 | 71 | 45 | 4 | 230....      |
| 200.330 | 30    | 50 | 51 | 71 | 45 | 4 | 230....      |
| 200.331 | 31,75 | 50 | 51 | 71 | 45 | 4 | 230....      |
| 200.332 | 32    | 50 | 51 | 71 | 45 | 4 | 230....      |

C = DÉLKA AXIÁLNÍHO ZDVIHU PŘED ROZEPNUTÍM



DRŽÁKY UMOŽŇUJÍ ŘEZAT PRAVÉ I LEVÉ ZÁVITY

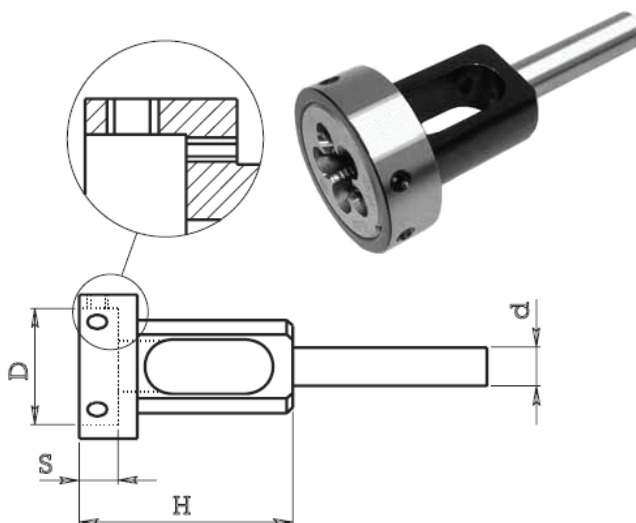
Postup nastavení držáku pro změnu smyslu řezání závitů.

1. Vyšroubovat šroub M5 č. 1 (uvolnění zařízení z tělesa č. 2)
2. Vymout pojistku č. 3
3. Otočit unašeč č. 4
4. Zpětná montáž

## Držáky závitníků a závitových čelistí

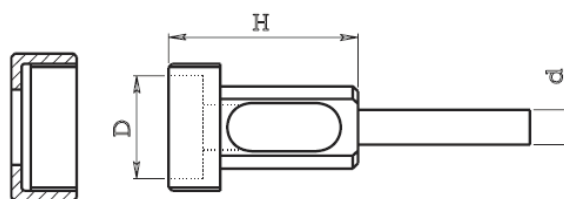
## DRŽÁK ZÁVITOVÝCH ČELISTÍ PRO DLOUHOTOČNÉ AUTOMATY

| KOD      | D  | S  | d  | H  |
|----------|----|----|----|----|
| 380.116  | 16 | 5  | 6  | 39 |
| 380.116B | 16 | 5  | 8  | 39 |
| 380.120  | 20 | 5  | 6  | 42 |
| 380.120B | 20 | 5  | 8  | 42 |
| 380.120C | 20 | 7  | 6  | 42 |
| 380.120D | 20 | 7  | 8  | 42 |
| 380.125  | 25 | 9  | 8  | 50 |
| 380.125B | 25 | 9  | 10 | 50 |
| 380.130  | 30 | 11 | 8  | 56 |
| 380.130B | 30 | 11 | 10 | 56 |
| 380.135  | 35 | 12 | 10 | 56 |
| 380.135B | 35 | 12 | 8  | 56 |
| 380.138  | 38 | 10 | 12 | 56 |
| 380.138C | 38 | 14 | 12 | 56 |



## DRŽÁK ZÁVITOVÝCH ČELISTÍ PRO DLOUHOTOČNÉ AUTOMATY (S MATICÍ)

| KOD       | D  | d  | H  |
|-----------|----|----|----|
| 380.616   | 16 | 6  | 39 |
| 380.616 B | 16 | 8  | 39 |
| 380.620   | 20 | 6  | 42 |
| 380.620 B | 20 | 8  | 42 |
| 380.625   | 25 | 8  | 50 |
| 380.625 B | 25 | 10 | 50 |
| 380.630   | 30 | 8  | 56 |
| 380.630 B | 30 | 10 | 56 |
| 380.635   | 35 | 10 | 56 |

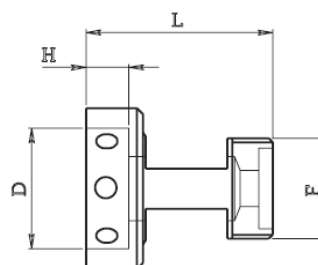


|           |                        |
|-----------|------------------------|
| 380.616 1 | Matice pro kod 380.616 |
| 380.620 1 | Matice pro kod 380.620 |
| 380.625 1 | Matice pro kod 380.625 |
| 380.630 1 | Matice pro kod 380.630 |

## DRŽÁK ZÁVITOVÝCH ČELISTÍ PRO ZÁVITOŘEZ

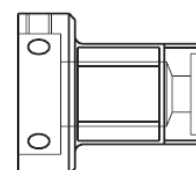
## TRAUB A15-20-25

| KOD     | D  | H  | L  | F       | KOD     | D  | H  | L  | F       | KOD     | D  | H  | L  | F       |
|---------|----|----|----|---------|---------|----|----|----|---------|---------|----|----|----|---------|
| 382.112 | 12 | 4  | 32 | M25x1,5 | 382.212 | 12 | 4  | 46 | M25x1,5 | 382.312 | 12 | 4  | 62 | M25x1,5 |
| 382.116 | 16 | 5  | 32 | M25x1,5 | 382.216 | 16 | 5  | 46 | M25x1,5 | 382.316 | 16 | 5  | 62 | M25x1,5 |
| 382.120 | 20 | 7  | 32 | M25x1,5 | 382.220 | 20 | 7  | 46 | M25x1,5 | 382.320 | 20 | 7  | 62 | M25x1,5 |
| 382.125 | 25 | 9  | 32 | M25x1,5 | 382.225 | 25 | 9  | 46 | M25x1,5 | 382.325 | 25 | 9  | 62 | M25x1,5 |
| 382.130 | 30 | 11 | 32 | M25x1,5 | 382.230 | 30 | 11 | 46 | M25x1,5 | 382.330 | 30 | 11 | 62 | M25x1,5 |
| 382.138 | 38 | 14 | 32 | M25x1,5 | 382.238 | 38 | 14 | 46 | M25x1,5 | 382.338 | 38 | 14 | 62 | M25x1,5 |



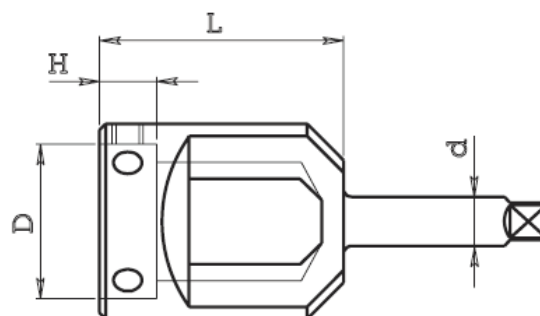
## SAIC B26-30 / ITS 26 / GIORGI 20-25-30

| KOD     | D  | H  | L  | F       | KOD     | D  | H  | L  | F       | KOD     | D  | H  | L  | F       |
|---------|----|----|----|---------|---------|----|----|----|---------|---------|----|----|----|---------|
| 382.412 | 12 | 4  | 32 | M26x1,5 | 382.512 | 12 | 4  | 46 | M26x1,5 | 382.612 | 12 | 4  | 62 | M26x1,5 |
| 382.416 | 16 | 5  | 32 | M26x1,5 | 382.516 | 16 | 5  | 46 | M26x1,5 | 382.616 | 16 | 5  | 62 | M26x1,5 |
| 382.420 | 20 | 7  | 32 | M26x1,5 | 382.520 | 20 | 7  | 46 | M26x1,5 | 382.620 | 20 | 7  | 62 | M26x1,5 |
| 382.425 | 25 | 9  | 32 | M26x1,5 | 382.525 | 25 | 9  | 46 | M26x1,5 | 382.625 | 25 | 9  | 62 | M26x1,5 |
| 382.430 | 30 | 11 | 32 | M26x1,5 | 382.530 | 30 | 11 | 46 | M26x1,5 | 382.630 | 30 | 11 | 62 | M26x1,5 |
| 382.438 | 38 | 14 | 32 | M26x1,5 | 382.538 | 38 | 14 | 46 | M26x1,5 | 382.638 | 38 | 14 | 62 | M26x1,5 |

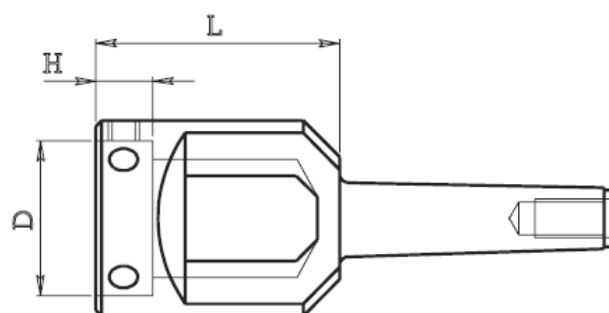


## DRŽÁK ZÁVITOVÝCH ČELISTÍ

| KOD       | D  | H  | d  | L  |
|-----------|----|----|----|----|
| 384.116   | 16 | 5  | 9  | 60 |
| 384.120   | 20 | 7  | 9  | 60 |
| 384.125   | 25 | 9  | 9  | 60 |
| 384.130   | 30 | 11 | 9  | 60 |
| 384.138   | 38 | 10 | 12 | 60 |
| 384.138 B | 38 | 14 | 12 | 60 |
| 384.145   | 45 | 14 | 15 | 66 |
| 384.145 B | 45 | 18 | 15 | 66 |

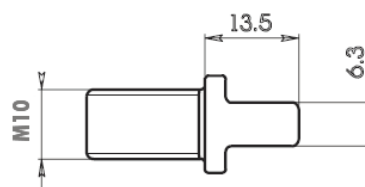


| KOD       | D  | H  | L  | Kužel   |
|-----------|----|----|----|---------|
| 384.716   | 16 | 5  | 60 | Morse 2 |
| 384.720   | 20 | 7  | 60 | Morse 2 |
| 384.725   | 25 | 9  | 60 | Morse 2 |
| 384.730   | 30 | 11 | 60 | Morse 2 |
| 384.738   | 38 | 10 | 60 | Morse 2 |
| 384.738 B | 38 | 14 | 60 | Morse 2 |
| 384.745   | 45 | 14 | 66 | Morse 2 |
| 384.745 B | 45 | 18 | 66 | Morse 2 |



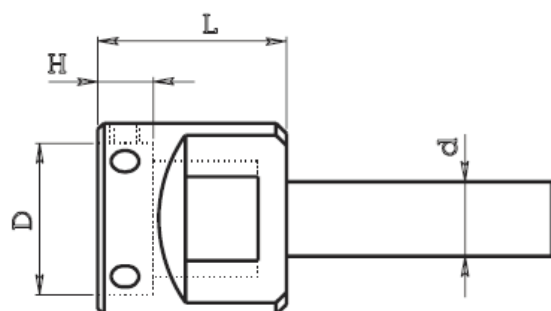
## UNÁŠECÍ ČEP PRO KUŽEL MORSE 2

KOD 164.992



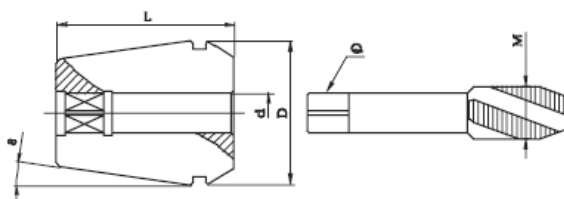
## DRŽÁK ZÁVITOVÝCH ČELISTÍ

| KOD      | D  | H  | d  | L  |
|----------|----|----|----|----|
| 380.525  | 25 | 9  | 20 | 35 |
| 380.530  | 30 | 11 | 20 | 35 |
| 380.538  | 38 | 10 | 20 | 35 |
| 380.538B | 38 | 14 | 20 | 40 |
| 380.545  | 45 | 14 | 20 | 40 |
| 380.545B | 45 | 18 | 20 | 40 |
| 380.550  | 50 | 16 | 20 | 40 |
| 380.555B | 55 | 16 | 20 | 40 |



## KLEŠTINY ERC S UNAŠEČEM PRO ZÁVITNÍKY

DIN 6499



| KOD            | d   | čtyřhran Q | M      | ERC 16 |
|----------------|-----|------------|--------|--------|
| 050.016M D0350 | 3,5 | 2,7        | M3     |        |
| 050.016M D0400 | 4   | 3          | M3.5   |        |
| 050.016M D0450 | 4,5 | 3,4        | M4     |        |
| 050.016M D0500 | 5   | 4          | M4     |        |
| 050.016M D0550 | 5,5 | 4,3        | M5     |        |
| 050.016M D0600 | 6   | 4,9        | M5-6-8 |        |
| 050.016M D0630 | 6,3 | 5          | M6-8   |        |
| 050.016M D0700 | 7   | 5,5        | M10    |        |
| 050.016M D0800 | 8   | 6,2        | M8     |        |

| KOD            | d   | čtyřhran Q | M      | ERC 20 |
|----------------|-----|------------|--------|--------|
| 050.020M D0350 | 3,5 | 2,7        | M3     |        |
| 050.020M D0400 | 4   | 3          | M3.5   |        |
| 050.020M D0450 | 4,5 | 3,4        | M4     |        |
| 050.020M D0500 | 5   | 4          | M4     |        |
| 050.020M D0550 | 5,5 | 4,3        | M5     |        |
| 050.020M D0600 | 6   | 4,9        | M5-6-8 |        |
| 050.020M D0630 | 6,3 | 5          | M6-8   |        |
| 050.020M D0700 | 7   | 5,5        | M10    |        |
| 050.020M D0800 | 8   | 6,2        | M8     |        |
| 050.020M D0900 | 9   | 7          | M12    |        |
| 050.020M D1000 | 10  | 8          | M10    |        |

| KOD            | d    | čtyřhran Q | M      | ERC 25 |
|----------------|------|------------|--------|--------|
| 050.025M D0350 | 3,5  | 2,7        | M3     |        |
| 050.025M D0400 | 4    | 3          | M3.5   |        |
| 050.025M D0450 | 4,5  | 3,4        | M4     |        |
| 050.025M D0500 | 5    | 4          | M4     |        |
| 050.025M D0550 | 5,5  | 4,3        | M5     |        |
| 050.025M D0600 | 6    | 4,9        | M5-6-8 |        |
| 050.025M D0630 | 6,3  | 5          | M6-8   |        |
| 050.025M D0700 | 7    | 5,5        | M10    |        |
| 050.025M D0800 | 8    | 6,2        | M8     |        |
| 050.025M D0900 | 9    | 7          | M12    |        |
| 050.025M D1000 | 10   | 8          | M10    |        |
| 050.025M D1100 | 11   | 9          | M14    |        |
| 050.025M D1120 | 11,2 | 9          | M14    |        |
| 050.025M D1200 | 12   | 9          | M16    |        |

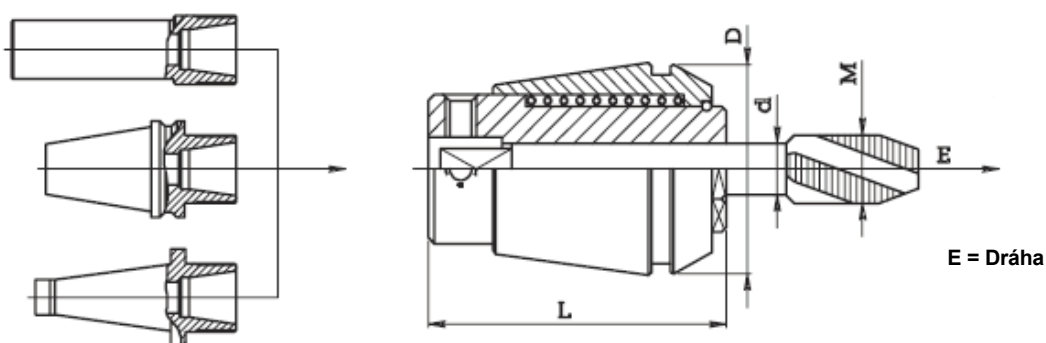
| KOD            | d    | čtyřhran Q | M      | ERC 32 |
|----------------|------|------------|--------|--------|
| 050.032M D0350 | 3,5  | 2,7        | M3     |        |
| 050.032M D0400 | 4    | 3          | M3.5   |        |
| 050.032M D0450 | 4,5  | 3,4        | M4     |        |
| 050.032M D0500 | 5    | 4          | M4     |        |
| 050.032M D0550 | 5,5  | 4,3        | M5     |        |
| 050.032M D0600 | 6    | 4,9        | M5-6-8 |        |
| 050.032M D0630 | 6,3  | 5          | M6-8   |        |
| 050.032M D0700 | 7    | 5,5        | M10    |        |
| 050.032M D0800 | 8    | 6,2        | M8     |        |
| 050.032M D0900 | 9    | 7          | M12    |        |
| 050.032M D1000 | 10   | 8          | M10    |        |
| 050.032M D1100 | 11   | 9          | M14    |        |
| 050.032M D1120 | 11,2 | 9          | M14    |        |
| 050.032M D1200 | 12   | 9          | M16    |        |
| 050.032M D1250 | 12,5 | 10         | M16    |        |
| 050.032M D1400 | 14   | 11         | M18    |        |
| 050.032M D1600 | 16   | 12         | M20    |        |

| KOD            | d  | čtyřhran Q | M      | ERC 40 |
|----------------|----|------------|--------|--------|
| 050.040M D0600 | 6  | 4,9        | M5-6-8 |        |
| 050.040M D0700 | 7  | 5,5        | M10    |        |
| 050.040M D0800 | 8  | 6,2        | M8     |        |
| 050.040M D0900 | 9  | 7          | M12    |        |
| 050.040M D1000 | 10 | 8          | M10    |        |
| 050.040M D1100 | 11 | 9          | M14    |        |
| 050.040M D1200 | 12 | 9          | M16    |        |
| 050.040M D1400 | 14 | 11         | M18    |        |
| 050.040M D1600 | 16 | 12         | M20    |        |
| 050.040M D1800 | 18 | 14,5       | M24    |        |
| 050.040M D2000 | 20 | 16         | M27    |        |

| KOD            | d  | čtyřhran Q | M      | ERC 50 |
|----------------|----|------------|--------|--------|
| 050.050M D0800 | 8  | 6,2        | M8     |        |
| 050.050M D0900 | 9  | 7          | M12    |        |
| 050.050M D1000 | 10 | 8          | M10    |        |
| 050.050M D1100 | 11 | 9          | M14    |        |
| 050.050M D1200 | 12 | 9          | M16    |        |
| 050.050M D1400 | 14 | 11         | M18    |        |
| 050.050M D1600 | 16 | 12         | M20    |        |
| 050.050M D1800 | 18 | 14,5       | M24    |        |
| 050.050M D2000 | 20 | 16         | M27    |        |
| 050.050M D2200 | 22 | 18         | M30    |        |
| 050.050M D2500 | 25 | 20         | M33    |        |
| 050.050M D2800 | 28 | 22         | M36    |        |
| 050.050M D3200 | 32 | 24         | M39-42 |        |

## VYSOUVACÍ KLEŠTINY PRO ZÁVITNÍKY

DIN 6499



| KOD        | Typ    | D  | L  | Rozměr závitníku | Díra d  | E  |
|------------|--------|----|----|------------------|---|----|
| 050.016 ZM | ERC 16 | 17 | 27 | M1-M6            | 1,4 - 1,6 - 1,8 - 2 - 2,2 - 2,5 - 2,8 - 3 - 3,15 - 3,5 - 3,55 - 4 - 4,5 - 5 - 5,5 - 6               | 7  |
| 050.020 ZM | ERC 20 | 21 | 31 | M1-M8            | 2,2 - 2,5 - 2,8 - 3 - 3,15 - 3,5 - 3,55 - 4 - 4,5 - 5 - 5,5 - 5,6 - 6 - 6,2 - 7 - 8                 | 7  |
| 050.025 ZM | ERC 25 | 26 | 34 | M3.5-M10 (M12)   | 2,5 - 2,8 - 3 - 3,15 - 3,5 - 3,55 - 4 - 4,5 - 5 - 5,5 - 5,6 - 6 - 6,2 - 6,3 - 7 - 8<br>8,5 - 9 - 10 | 8  |
| 050.032 ZM | ERC 32 | 33 | 43 | M4-M12 (M16)     | 4,5 - 5 - 5,5 - 5,6 - 6 - 6,2 - 6,3 - 7 - 8 - 8,5 - 9 - 10 - 10,5 - 11 - 11,2 - 12<br>12,5          | 10 |
| 050.040 ZM | ERC 40 | 41 | 54 | M6-M16 (M20)     | 6 - 6,2 - 6,3 - 7 - 8 - 8,5 - 9 - 10 - 10,5 - 11 - 11,2 - 12 - 12,5 - 14 - 15 - 16                  | 13 |